



**ENERGY**  
**Hydraulic**

## **NMRV**

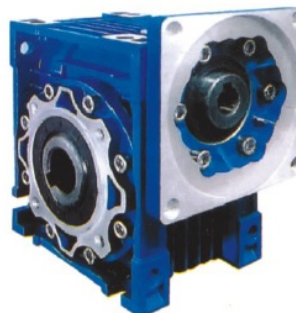
NMRV Series Worm-Gear Speed Reducer



## Product picture



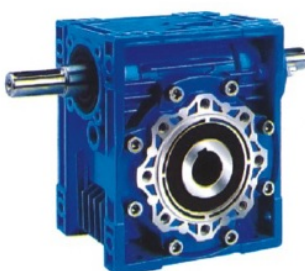
NMRV



NMRV  
(For servo motor)



NRV..F



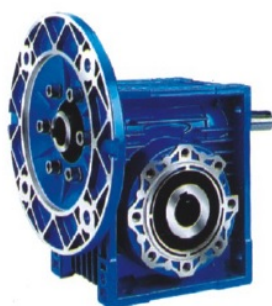
NRV..VS



NRV



NMRV..F

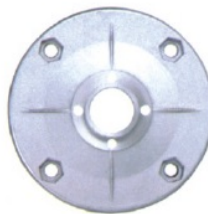
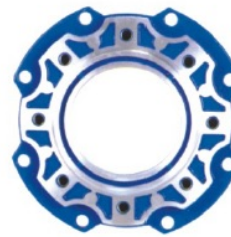


NMRV..VS

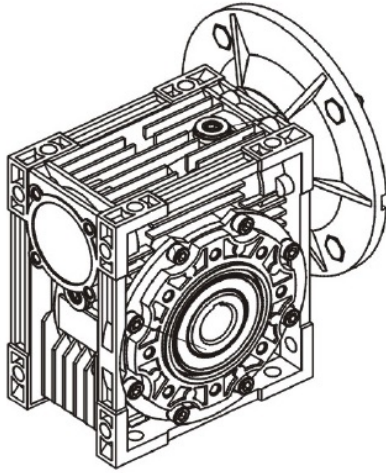


NMRV+NMRV

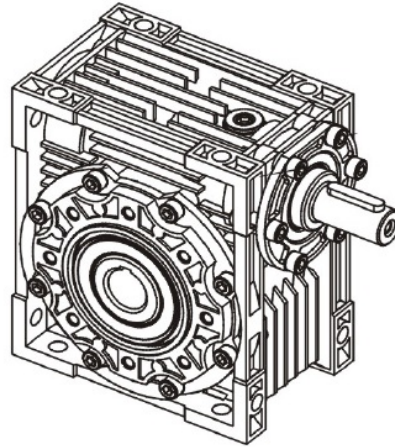
## Aluminum casting



## NMRV/NRV



**NMRV**



**NRV**

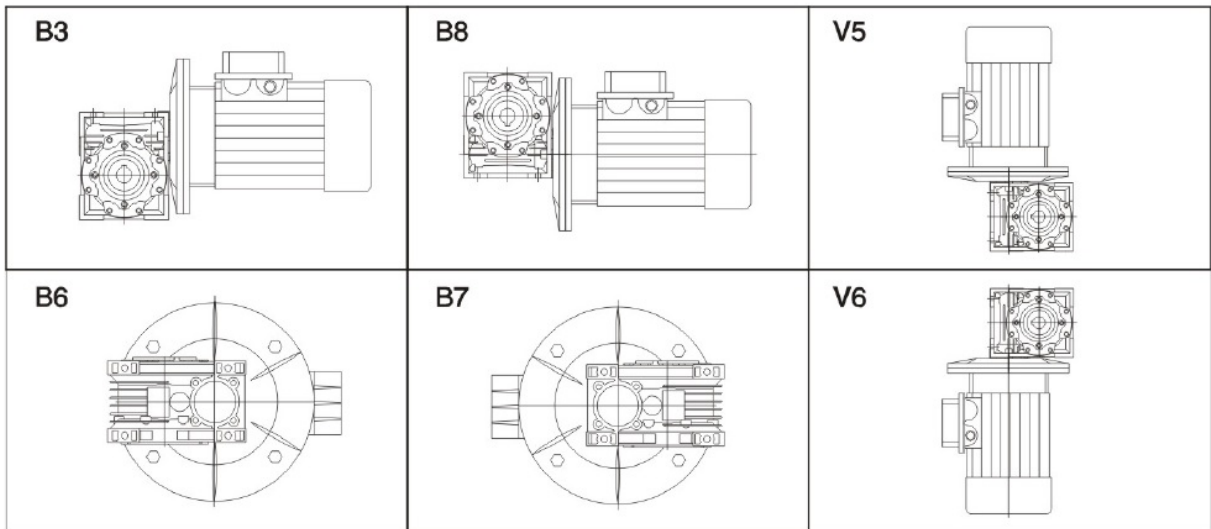
Model notes

NMRV-063-30-VS-F1 (FA)-AS-80B5-0.55kW-B3			
<b>NMRV</b>	Worm gear speed reducer		
<b>NRV</b>	Worm gear speed reducer (Matching input shaft)		
<b>063</b>	Center distance		
<b>30</b>	Reduction ratio		
<b>VS</b>	Double input shaft	<b>F1 (FA)</b>	Output flange
<b>AS</b>	Single output shaft	<b>AB</b>	Double output shaft
<b>PAM</b>	Fitted for motor coupling	<b>80B5</b>	Motor mounting facility
<b>0.55kW</b>	Electric motor power	<b>B3</b>	Mounting position

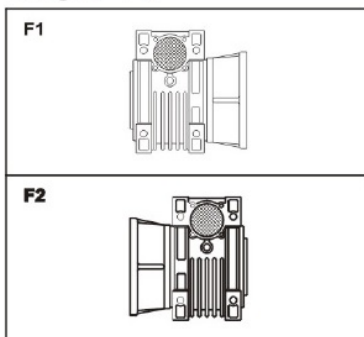
Comparative table of model

SunRun	NMRV025	NMRV030	NMRV040	NMRV050	NMRV063	NMRV075	NMRV090	NMRV110	NMRV130	NMRV150
		NRV030	NRV040	NRV050	NRV063	NRV075	NRV090	NRV110	NRV130	NRV150
Domestic	NMRV025	NMRV030	NMRV040	NMRV050	NMRV063	NMRV075	NMRV090	NMRV110	NMRV130	NMRV150
		NRV030	NRV040	NRV050	NRV063	NRV075	NRV090	NRV110	NRV130	NRV150
	WJ25	WJ30	WJ40	WJ50	WJ63	WJ75	WJ90	WJ110	WJ130	WJ150
	FCNDK25	FCNDK30	FCNDK40	FCNDK50	FCNDK63	FCNDK75	FCNDK90	FCNDK110	FCNDK130	FCNDK150
		FCNK30	FCNK40	FCNK50	FCNK63	FCNK75	FCNK90	FCNK110	FCNK130	FCNK150
	JRSTD025	JRSTD030	JRSTD040	JRSTD050	JRSTD063	JRSTD075	JRSTD090	JRSTD110	JRSTD130	JRSTD150
		JRST030	JRST040	JRST050	JRST063	JRST075	JRST090	JRST110	JRST130	JRST150

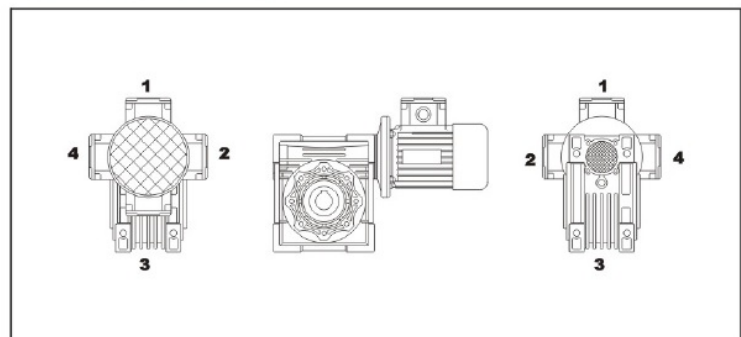
Single Step Mounting Positions



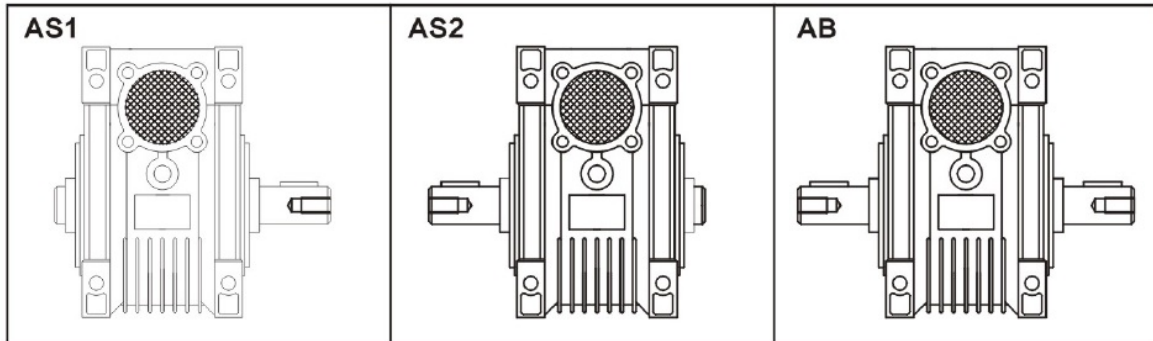
Flange F-FL



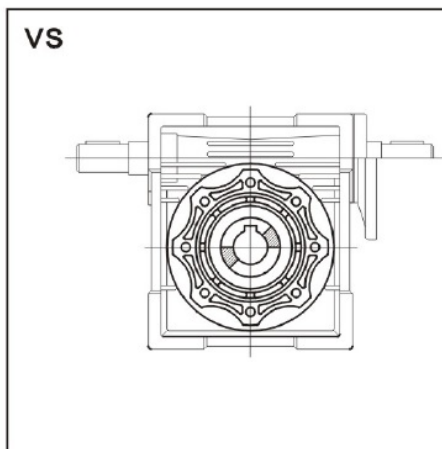
Position of terminal box



### Position of output shaft



### Double extension worm shaft



### Position of torque arm

