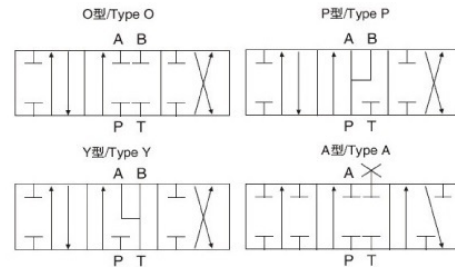


Monoblock directional control valves has many outstanding features including high performance, high efficiency, small volume, mass flow, and leak proof. We mainly have these series of monoblock valves: ZD-L10; ZD-L102; ZD-L15; ZT-L12; ZT-L20; ZDa-L15; BDL-L40, BDL-L100; CDB & ZCDB series.

SPOOL FUNCTION SYMBOLS



ZD-L10 series

- ◆ Monoblock types with 2 working sections
- ◆ Flow 40 l/min with pressure 160bar, 200bar, max 250bar
- ◆ Spool returning type with T (spring return) and W (ball locking)
- ◆ Joining port: L (screw connection)
- ◆ Parallel circuit
- ◆ Spool function: O, P, Y, A
- ◆ Nominal diameter: G3/8; M18*1.5; M16*1.5; SAE6
- ◆ Model examples: ZD-L10E-2OT; ZD-L10F-OT.AT; ZD-L10F-2OW etc.

ZD-L15 series

- ◆ Monoblock types with 2 to 3 working sections
- ◆ Flow 63 l/min with pressure 160bar, 200bar, max 315bar
- ◆ Spool returning type with T (spring return) and W (ball locking)
- ◆ Joining port: L (screw connection)
- ◆ Parallel circuit
- ◆ Spool function: O, P, Y, A
- ◆ Nominal diameter: G1/2; G3/8; M18*1.5; M22*1.5
- ◆ Model examples: ZD-L15E-2OT; ZD-L15F-2OT.QT etc.



ZD-L102 series

- ◆ Monoblock types with 1 to 3 working sections
- ◆ Flow 30-40 l/min with pressure 160bar, 200bar, max 315bar
- ◆ Spool returning type with T (spring return) and W (ball locking)
- ◆ Joining port: L (screw connection)
- ◆ Parallel circuit
- ◆ Spool function: O, P, Y, A
- ◆ Nominal diameter: G1/2; G3/8; M18*1.5; M18*1.5
- ◆ Model examples: ZD-L102E-OT; ZD-L102F-OT.AT; ZD-L102F-OW; ZD-L102E-3OT; ZD-L102-YT.OW.YT etc.



ZT-L20 series

- ◆ Monoblock types with 1 to 4 working sections
- ◆ Nominal pressure 80 l/min, max 100 l/minute with pressure 200bar, max 315bar
- ◆ Spool returning type with T (spring return) and W (ball locking)
- ◆ Joining port: L (screw connection)
- ◆ Parallel circuit
- ◆ Spool function: O, P, Y, A
- ◆ Nominal diameter: G1/2; G3/4; G1; M22*1.5; M27*2
- ◆ Model examples: ZT-L20F-OT; ZT-L20H-OT.AT.OT; ZT-L20F-4OT; ZT-L20F-OT-J etc.





ZT-L12 series

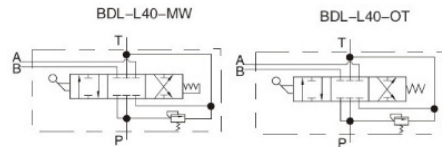
- ◆ Monoblock types with 1 to 6 working sections
- ◆ Nominal pressure 45 - 50 l/minute with pressure 160bar, 200bar, max pressure up to 315bar
- ◆ Selective spool returning ways: T (spring return); W (ball locking); Q; DQ etc.
- ◆ Joining port: L (screw connection)
- ◆ Parallel circuit
- ◆ Spool function: O, P, Y, A
- ◆ Nominal diameter: G1/2; G3/8; M18*1.5
- ◆ Model examples: ZT-L12E-OT; ZT-L12F-OT.AT; ZT-L12H-4OT; ZT-L12F-6OT; ZT-L12F-ODQ.OQ.2OT.OW etc.



BDL-L40 series

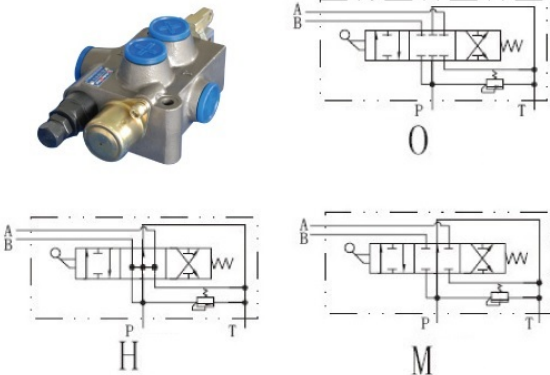


- ◆ Single spool monoblock valve
- ◆ Flow 40 l/min with nominal pressure 160bar, max 315bar
- ◆ Spool returning type with T (spring return) and W (ball locking)
- ◆ Joining port: L (screw connection)
- ◆ Parallel circuit
- ◆ Spool function: O, P, Y, M
- ◆ Nominal diameter: G3/8; M18*1.5
- ◆ Model examples: BDL-L40E-OT; BDL-L40F-MT; BDL-L40F-MW etc.



BDL-L100 series

- ◆ Single spool monoblock valve
- ◆ Flow 100 l/min with nominal pressure 160bar, max 315bar
- ◆ Spool returning type with T (spring return) and W (ball locking)
- ◆ Joining port: L (screw connection)
- ◆ Parallel circuit
- ◆ Spool function: O, P, Y, M
- ◆ Nominal diameter: G3/4; G1; M27*2
- ◆ Model examples: BDL-L40E-OT; BDL-L40F-MT; BDL-L40F-MW etc.



ZDa-L15 series

- ◆ Monoblock types with 1 to 7 working sections
- ◆ Flow 63 l/min with nominal pressure 200bar
- ◆ Spool returning type with T (spring return) and W (ball locking)
- ◆ Joining port: L (screw connection)
- ◆ Parallel circuit
- ◆ Spool function: O, P, Y, A
- ◆ Nominal diameter: G1/2; G3/8; M18*1.5
- ◆ Model examples: ZDa-L15F-OT; ZDa-L15F-3OT; ZDa-L15F-6OT etc.

