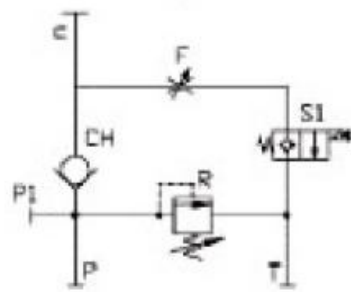




LIFT VALVE

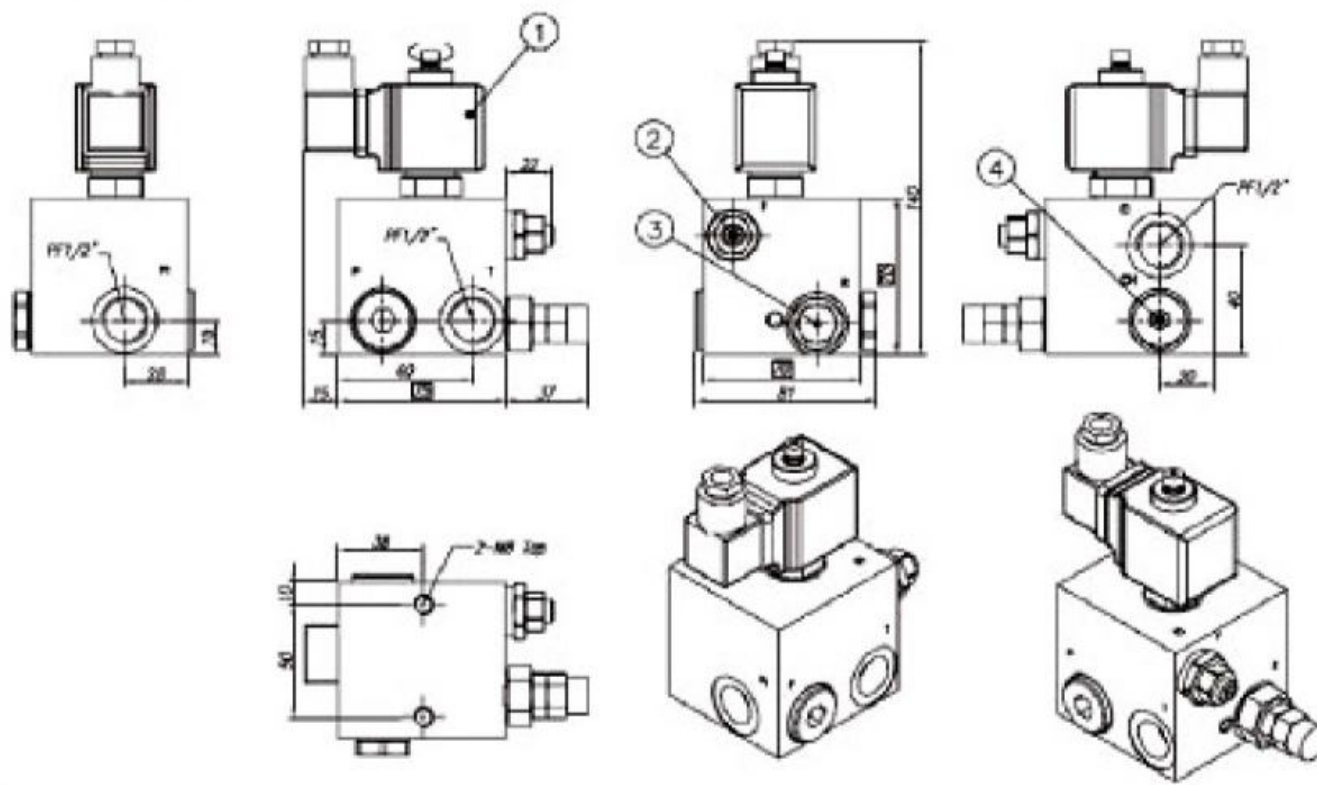


Hydraulic Diagram

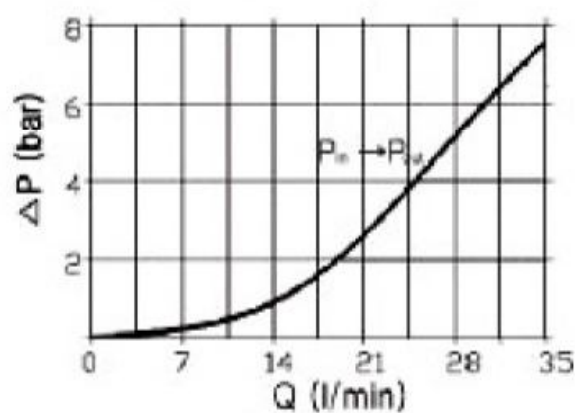


NO.	DESCRIPTION	Q'TY	REMARK
1	Lift Valve	1	
2	Throttle Valve	1	
3	Relief Valve	1	
4	Check valve	1	

Dimensions



Lift Valve Characteristic Curve



Electric Coil

Voltage(V)	Power(W)
DC 12V	30
DC 24V	
AC 110V	
AC 220V	
RAC 110V	
RAC 220V	
Type Of Connector	
On Type	Wire Type