



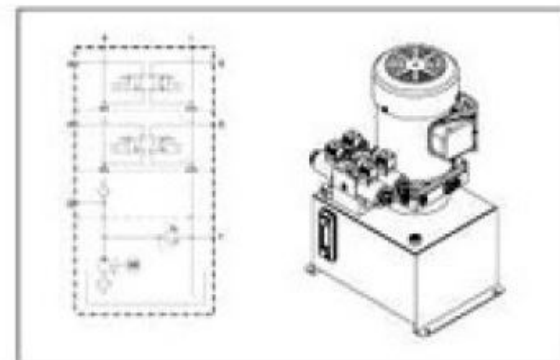
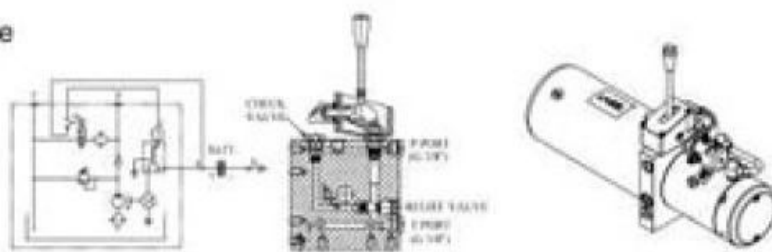
ENERGY Hydraulic



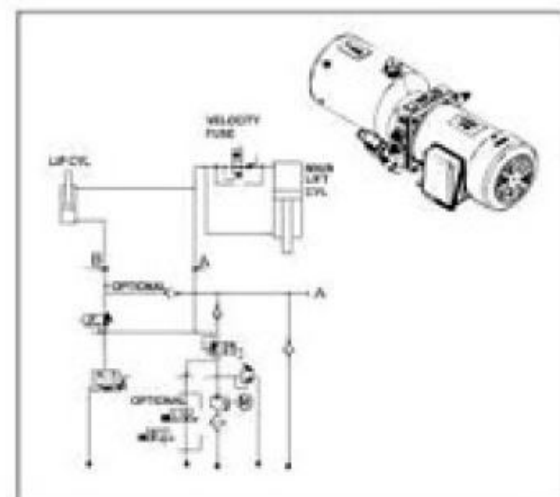
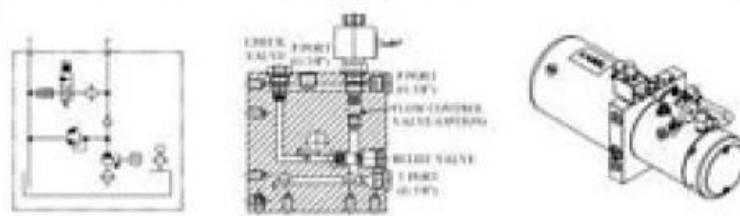
COMPACT AC-DC POWER PACKS

MOTOR	H.P/WATT	MOUNTING	PUMP	LOWERING ACTUATION	TANK	TYPE
	0.8KW	VERTICAL	1.0CC	NIL	4L	M (MANUAL)
DC 12V	1.6 KW	HORIZONT	2.0CC	MANUAL	8L	S (SOLENOID)
DC 24V	2.2KW		2.5CC	SOLENOID (NC)	15L	N (NO ACTUATION)
	3.0KW		3.3CC	CTOP-03 SOL	25L	A (ADAPTOR)
			5.8CC	VALVE		C (CETOP VALVE)
	0.5 HP		7.0CC			
AC 230V	1 HP		9.0CC			
AC 380	2 HP					
	3 HP					
	4 HP					

MR Type



S Type



A Type + Cetop 03

